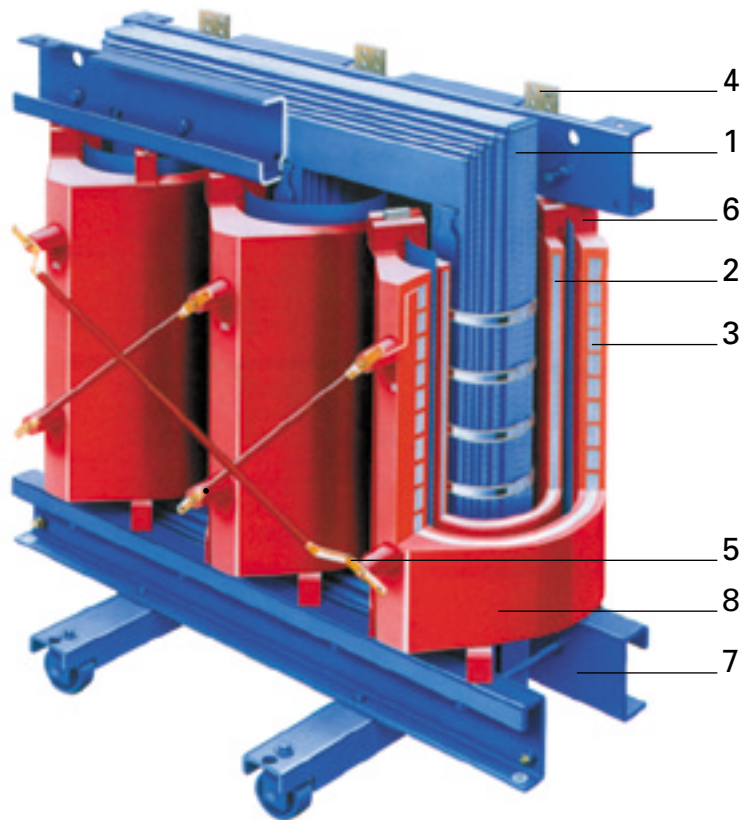


GEAFOL cast-resin transformers 100 to 2500 kVA

Design features

- 1 Three-limb core
made of grain-oriented, low-loss electrolaminations insulated on both sides
- 2 LV winding
made of aluminium strip. Turns firmly glued together by means of insulating sheet wrapper material
- 3 HV winding
consisting of vacuum-potted single foil-type aluminium coils
- 4 LV terminals
normal arrangement: Top, rear special version. Bottom, available on request at extra charge
- 5 HV terminals
variable arrangements for optimal station design
HV tapping links on low-voltage side for adjustment to system conditions, reconnectable in deenergized state
- 6 Resilient spacers
to insulate core and windings from mechanical vibrations, resulting in low noise emissions
- 7 Clamping frame and truck
rollers can be swung around for lengthways or sideways travel
- 8 Insulation: Mixture of epoxy resin and quartz powder
Makes the transformer maintenance-free, moisture-proof, tropicalized, flame-resistant and self-extinguishing



630 kVA GEAFOL distribution transformer, $U_r = 20$ kV

Temperature monitoring

by PTC thermistor detectors in the LV winding

Paint finish on steel parts

Multiple coating, RAL 5009
On request: Two-component varnish or hot-dip galvanizing (for particularly aggressive environments)

Ambient class E2

Climatic category C2 (If the transformer is installed outdoors, degree of protection IP23 must be assured)

Fire class F1

GFAFOL-4GB series cast-resin transformers

100 to 2500 kVA

Disrtibution transformers to IEC 726, DIN 42523, 50 Hz, LV 420 V, vector group Dyn 5

Selection data¹⁾

Rated power	High voltage	Impedance voltage at 120 °C	Tappings	No-load losses	Load losses at 75 °C	Load losses at 120 °C	Noise	Type	Approx. weight	Dimensions		
S_n kVA	U_n kV	e_z %		P_0 W	P_{k75} W	P_{k120} W	L_{WA} dB(A)		kg	a mm	b mm	h mm
100	11	4	±2.5%	440	1600	1850	59	4GB5046-4CA	680	1230	680	865
	11	4	±2.5%	320	1600	1850	51	4GB5046-4GA	720	1230	675	845
160	11	4	±2.5%	610	2300	2600	62	4GB5246-4CA	820	1270	690	1025
	11	4	±2.5%	440	2300	2600	54	4GB5246-4GA	960	1260	685	1110
250	11	4	±2.5%	820	3000	3400	65	4GB5446-4CA	1010	1330	700	1055
	11	4	±2.5%	600	3000	3400	57	4GB5446-4GA	1250	1340	700	1190
400	11	4	±2.5%	1150	4300	4900	68	4GB5646-4CA	1350	1360	820	1315
	21	6	±2 x 2.5%	1200	4100	4700	68	4GB5665-4DA	1370	1500	840	1215
	22	6	±2 x 2.5%	1200	4100	4700	68	4GB5665-4DA	1370	1500	840	1215
	11	4	±2.5%	880	4300	4900	60	4GB5646-4GA	1540	1400	820	1325
	21	6	±2 x 2.5%	940	4100	4700	60	4GB5665-4HA	1430	1500	840	1260
	22	6	±2 x 2.5%	940	4100	4700	60	4GB5665-4HA	1430	1500	840	1260
630	11	6	±2.5%	1370	6400	7400	70	4GB5846-4DA	1750	1530	825	1330
	21	6	±2 x 2.5%	1650	6400	7400	70	4GB5865-4DA	1870	1590	860	1355
	22	6	±2 x 2.5%	1650	6400	7400	70	4GB5865-4DA	1870	1590	860	1355
	11	6	±2.5%	1150	6400	7400	62	4GB5846-4HA	2010	1570	830	1350
	21	6	±2 x 2.5%	1250	6400	7400	62	4GB5865-4HA	2100	1630	865	1375
	22	6	±2 x 2.5%	1250	6400	7400	62	4GB5865-4HA	2100	1630	865	1375
1000	11	6	±2.5%	2000	8500	9700	73	4GB6046-4DA	2490	1640	990	1600
	21	6	±2 x 2.5%	2300	9200	10500	73	4GB6065-4DA	2760	1710	990	1670
	22	6	±2 x 2.5%	2300	9200	10500	73	4GB6065-4DA	2760	1710	990	1670
	11	6	±2.5%	1500	8500	9700	65	4GB6046-4HA	2740	1660	990	1600
	21	6	±2 x 2.5%	1750	9200	10500	65	4GB6065-4HA	2880	1730	990	1670
	22	6	±2 x 2.5%	1750	9200	10500	65	4GB6065-4HA	2880	1730	990	1670
1600	11	6	±2.5%	2800	11000	12500	76	4GB6246-4DA	3980	1860	990	1745
	21	6	±2 x 2.5%	3100	11800	13500	76	4GB6265-4DA	3950	1890	1000	1795
	22	6	±2 x 2.5%	3100	11800	13500	76	4GB6265-4DA	3950	1890	1000	1795
	11	6	±2.5%	2100	12300	14000	68	4GB6246-4HA	3970	1810	990	1875
	21	6	±2 x 2.5%	2400	12300	14000	68	4GB6265-4HA	4250	1860	995	1915
	22	6	±2 x 2.5%	2400	12300	14000	68	4GB6265-4HA	4250	1860	995	1915
2000	11	6	±2.5%	3600	14000	16000	78	4GB6346-4DA	4440	1920	1280	1990
	21	6	±2 x 2.5%	4000	14500	16500	78	4GB6365-4DA	4620	1960	1280	2120
	22	6	±2 x 2.5%	4000	14500	16500	78	4GB6365-4DA	4620	1960	1280	2120
	11	6	±2.5%	2650	14500	16500	70	4GB6346-4HA	4850	2010	1280	1995
	21	6	±2 x 2.5%	3000	14900	17000	70	4GB6365-4HA	4720	1930	1280	2090
	22	6	±2 x 2.5%	3000	14900	17000	70	4GB6365-4HA	4720	1930	1280	2090
2500	11	6	±2.5%	4300	17600	20000	81	4GB6446-4DA	5200	2110	1280	2070
	21	6	±2 x 2.5%	4300	17600	20000	81	4GB6465-4DA	5430	2170	1280	2150
	22	6	±2 x 2.5%	4300	17600	20000	81	4GB6465-4DA	5430	2170	1280	2150
	11	6	±2.5%	3600	18400	20500	71	4GB6446-4HA	5400	2120	1280	2070
	21	6	±2 x 2.5%	3600	18000	20500	71	4GB6465-4HA	5710	2170	1280	2120
	22	6	±2 x 2.5%	3600	18000	20500	71	4GB6465-4HA	5710	2170	1280	2120

1) Other versions and special equipment available on request

GFAFOL-4GB series cast-resin transformers

100 to 2500 kVA

Distribution transformers to IEC 726, DIN 42523, 50 Hz, LV 420 V, vector group Dyn 5

Optional accessories

For thermal protection

Built-in thermistors:

PTC 140 alarming winding temperature¹⁾

PTC 160 tripping winding temperature¹⁾

PTC 170 alarming iron core temperature

Operating device for thermistor based protection:

Ziehl MSF 220 K 24 ... 240 V AC/DC operating voltage

Built-in thermal resistance:

PT100 with linear characteristics

Operating devices for PT100 based protection

Ziehl TR 600 9-240 V AC/DC operating voltage, digital display

Tecsystem T-154 24-220 V AC operating voltage, digital display

For vibration and noise absorbing:

Noise absorbing pads

Suitable for total mass... Drawing number

800 ... 2000 kg 5260 598 00

2000 ... 4000 kg 5260 819 00

4000 ... 7000 kg 5260 499 00

Flexible connecting element for LV bar connections

up to Drawing number

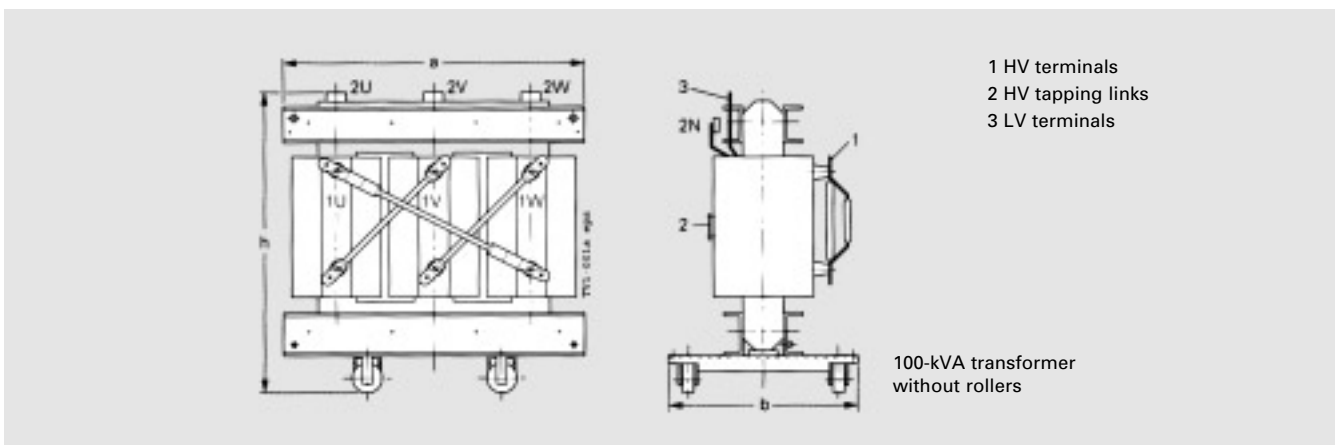
400 A 4 500 001 1

1000 A 4 500 001 2

2000 A 4 500 001 3

3150 A 4 500 001 4

Dimension drawing



1) Standard accessory in basic types



Siemens Transzformátor Kft.

H-1214 Budapest
II. Rákóczi Ferenc u. 189
Tel: (36-1) 278-5300
Fax: (36-1) 278-5335

Siemens Transzformátor Korlátolt Felelősségű Társaság
registered at the Municipal Court of Budapest as
Court of Registration, under the registration number 01-09-671438